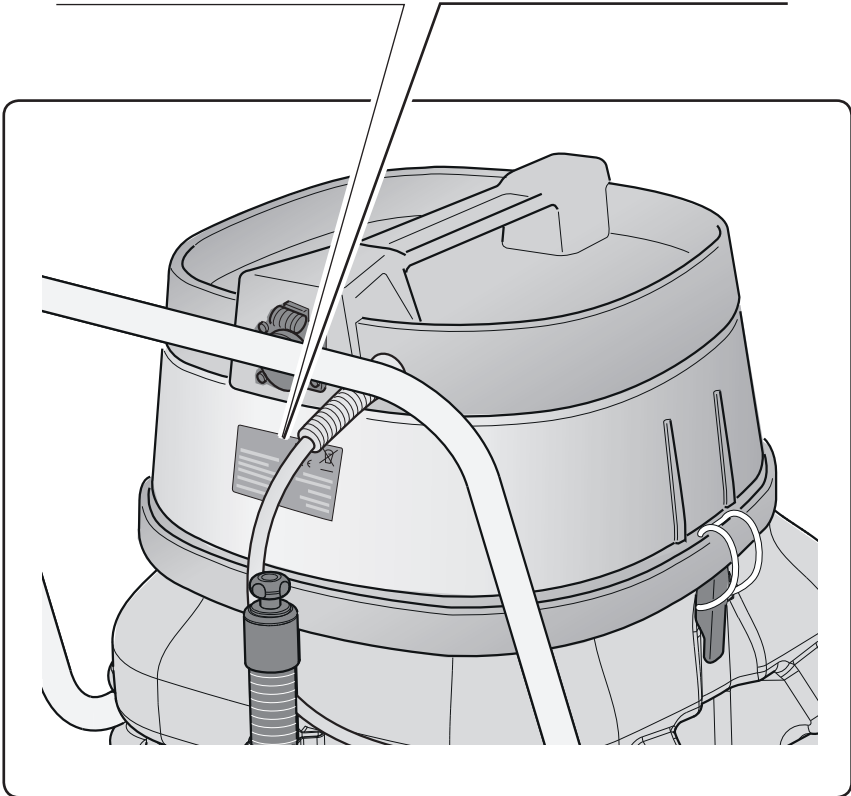
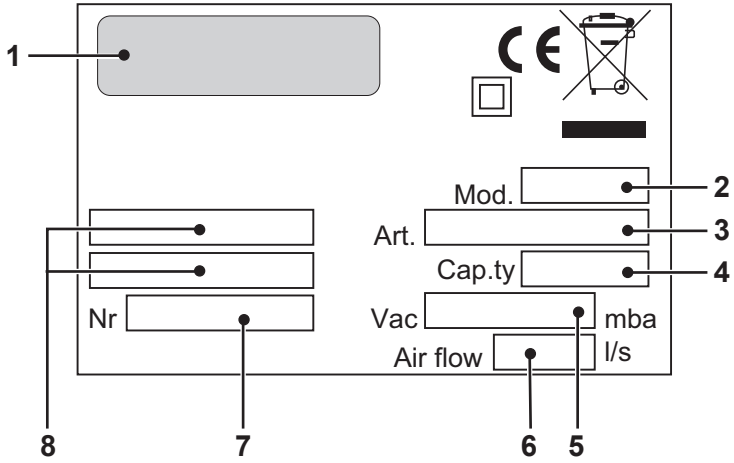


# INPUMP 90.2 SP CF

**EN Use and Maintenance**

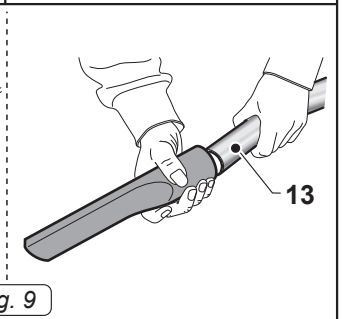
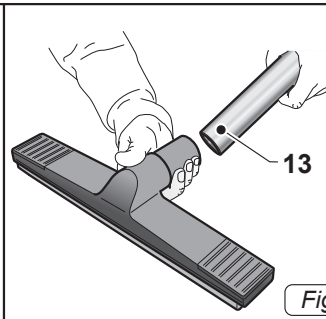
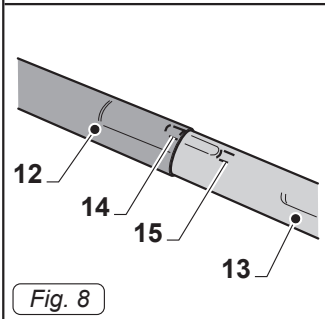
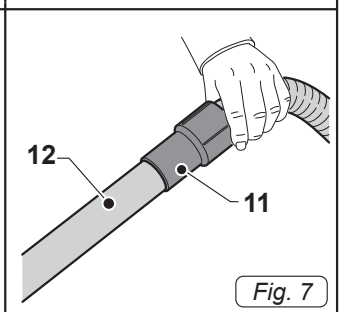
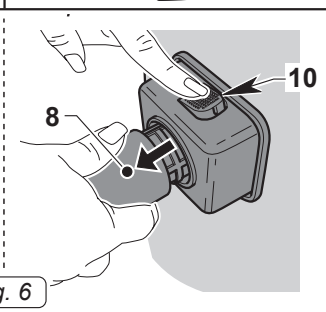
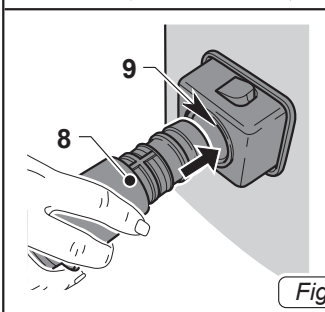
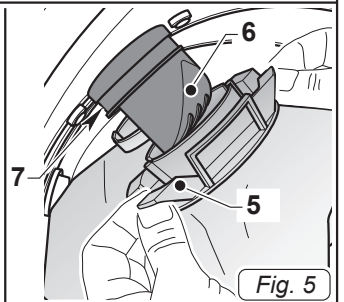
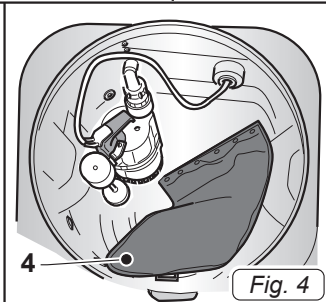
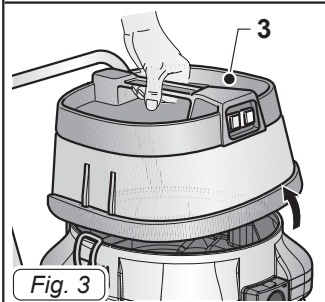
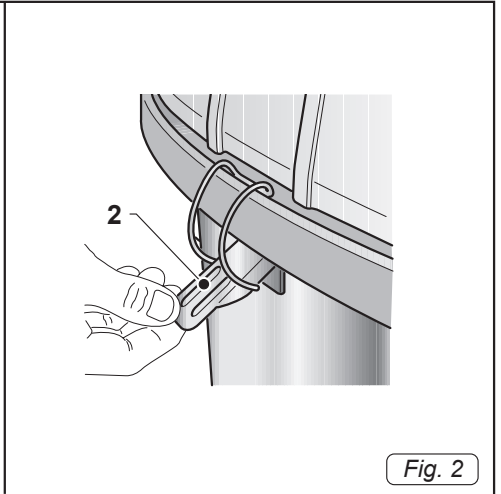
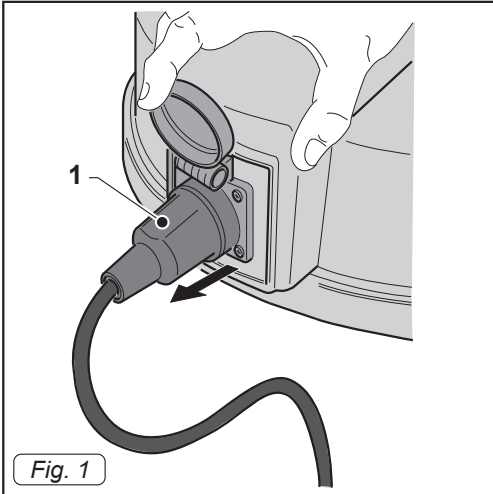
**CE**

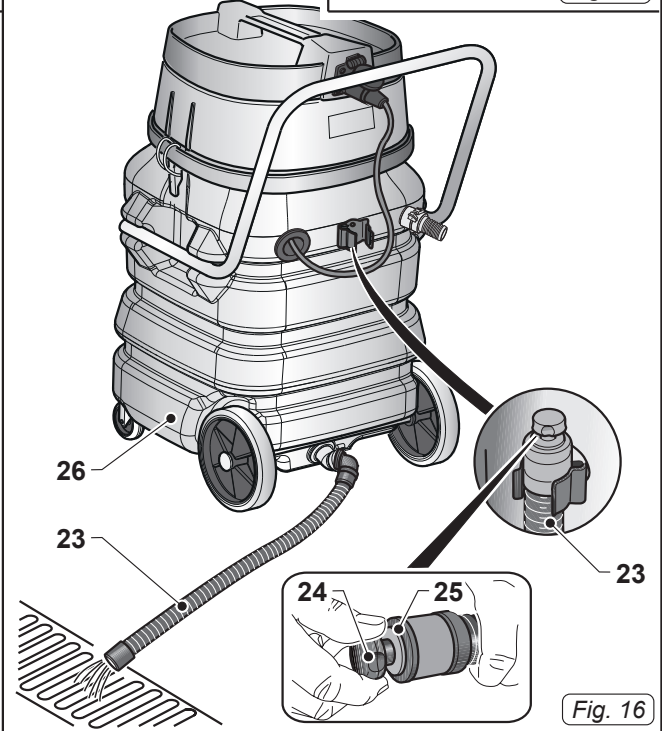
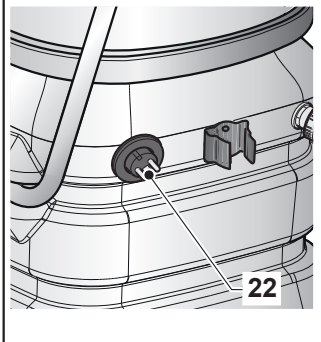
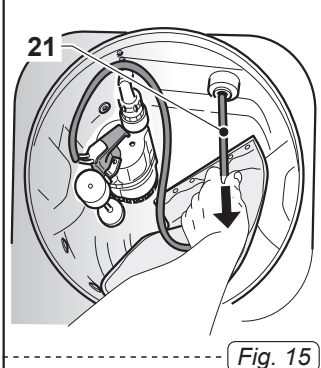
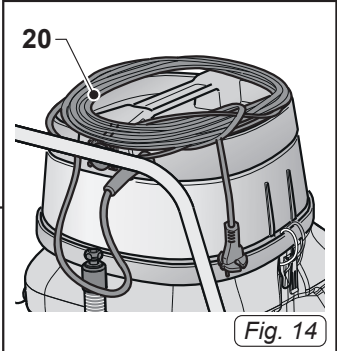
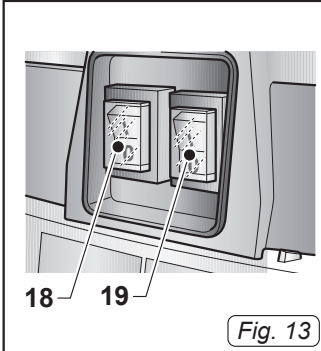
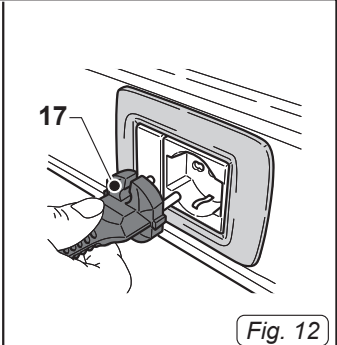
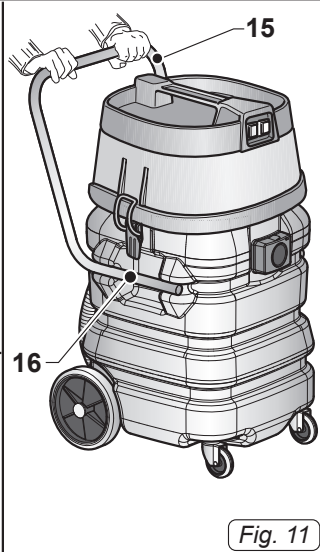
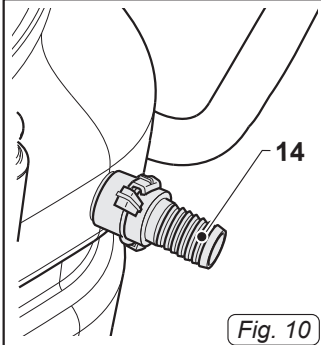
8050881  
ed. 09/2019

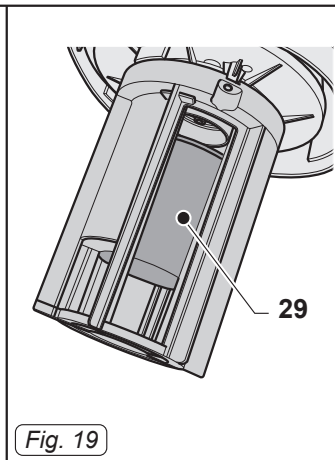
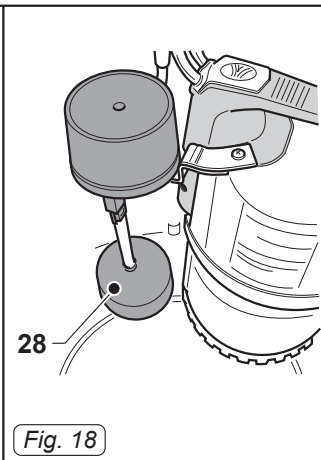
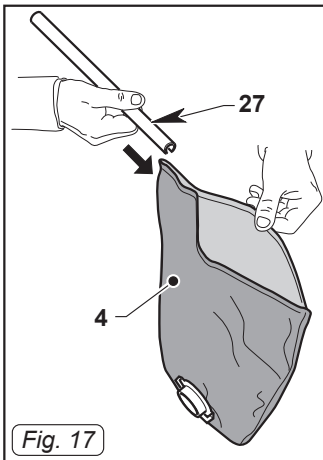


	1	2	3	4
IT	Produttore	Modello	Articolo	Capacità fusto
EN	Manufacturer	Model	Article	Container capacity
FR	Producteur	Modèle	Article	Capacité de la cuve
DE	Hersteller	Modell	Artikel	Fassungsvermögen des Körpers
ES	Fabricante	Modelo	Artículo	Capacidad del bidón
PT	Produtor	Modelo	Artigo	Capacidade do reservatório
NL	Producent	Model	Artikel	Inhoud reservoir
CS	Výrobce	Model	Typ	Obsah nádoby
RU	Изготовитель	Модель	Артикул	Емкость бака
PL	Producent	Model	Artykuł	Pojemność zbiornika
AR	الصانع	الطراز	النوع	سعة الخزان

	5	6	7	8
IT	Capacità aspirazione	Portata d'aria	N° Matricola	Caratteristiche elettriche
EN	Vacuum	Air flow	Serial N°	Electrical characteristics
FR	Capacité d'aspiration	Débit d'air	N° Matricule	Caractéristiques électriques
DE	Ansaugleistung	Luftdurchsatz	Serien N.	Elektrische Eigenschaften
ES	Capacidad de aspiración	Caudal de aire	N° Matricola	Características eléctricas
PT	Capacidade de aspiração	Caudal de ar	Número de série	Características elétricas
NL	Zuigcapaciteit	Luchtdebit	Serienummer	Elektrische eigenschappen
CS	Sací výkon	Množství dopravovaného vzduchu	Výrobní č.	Elektrické údaje
RU	Мощность всасывания	Расход воздуха	Заводской №	Электрические характеристики
PL	Podciśnienie (mbar)	Przepływ powietrza	Nr. Fabryczny	Właściwości elektryczne
AR	قدرة الشفط	تدفق الهواء	الرقم التسلسلي	المواصفات الكهربائية









English ..... ENGLISH - 1  
*(Translation of original instructions)*





## TECHNICAL CHARACTERISTICS

Power supply	220 - 240 V~	
Rated power	1900 W	
Tank capacity	80 l	
Useful capacity	42 l	
Vacuum performance	190 mbar	
Noise level	65 dB(A)	
Cable length	10 m	
Weight (without accessories)	31.1 kg	
Dimensions	620 x 480 x 930 mm	
Evacuation pump	Water flow	max 220 l/min
	Maximum power	370 W
	Prevalence	up to 8 m (capacity 20 l / min)
Supplied accessories	Ø 40 mm	

### TYPE OF USE

This appliance is designed for vacuuming clear water as the technical data table in the introduction to this manual. Only for this use is intended.



#### **DANGER:**

**The manufacturer cannot be held responsible for any damage due to improper or incorrect use.**

**Any other use releases the manufacturer from liability for harm to persons and/or property and invalidates any warranty condition.**

### IMPROPER USE

Do not use the appliance to:

- Aspirate flammable, explosive, corrosive and toxic substances.
- Aspirate hot substances.
- Do not use the appliance to vacuum dust.

Do not use the appliance in areas at risk of explosion.

## PREPARING THE APPLIANCE

- Remove the plug (1 Fig. 1) for the evacuation pump.
- Release the levers (2 Fig. 2) and remove the cover head (3 Fig. 3) complete with the motor unit.
- Check that there is a mesh filter (4 Fig. 4) in the tank.
- If the mesh filter (4 Fig. 4) is not present, install it as follows:  
Slide the plastic ring (5 Fig. 5) of the bag into the orifice (6 Fig. 5) until you hear the click of the lock ring in the groove (7 Fig. 5).
- Place the cover head back on and lock it using the levers (2 Fig. 2).
- Insert the plug (1 Fig. 1) into the socket.
- Insert, as far as possible, the sleeve (8 Fig. 6) of the suction hose into the nozzle (9 Fig. 6) on the drum.
- To release the sleeve (8 Fig. 6) press and hold the button (10 Fig. 6) then, pull the sleeve outwards (8 Fig. 6).
- Connect the hose (11 Fig. 7) with the extension (12 Fig. 7).
- Join the two rigid extensions (12-13 Fig. 8) aligning the reference points (14-15 Fig. 8).
- Attach the chosen accessory to the rigid extension (13 Fig. 9) (liquid suction nozzle or flat nozzle).
- Connect a flexible hose to the 30-mm discharge outlet (14 Fig. 10).

## USING THE APPLIANCE

- The appliance is equipped with wheels and can be pushed with the handle (15 Fig. 11).
- It should be lifted by two people using the handles (16 Fig. 11) located in the lower part of the large handle.

### Starting up the appliance

- Insert the plug (17 Fig. 12) in the power socket and check that the plug (1 Fig. 1) powering the evacuation pump is correctly inserted.
- Depending on the power required it is possible to start only one motor by pressing the switch (18 Fig. 13) on "1" or both switches (18-19 Fig. 13) if a greater suction force is required.



#### NOTES:

The evacuation pump is operated by a start float located inside the tank; to ensure that the pump operates and cools correctly, it starts when the water level reaches a height of 1 cm in the tank and stops when the level drops below that height.



#### NOTES:

In case the recovery tank fills up, there is an increase of noise and the device no longer vacuums, then turn off the appliance and empty the tank.

## Switching off the appliance

- Push the switches (18-19 Fig. 13) to the "0" position to stop the device.
- Remove the plug (17 Fig. 12) from the electrical socket.
- Roll up the cable (20 Fig. 14) and place it on the cover head.
- Remove the power plug (1 Fig. 1) for the evacuation pump.
- Release the levers (2 Fig. 2) and remove the cover (3 Fig. 3) including the motor unit.
- From the inside the tank, pull the cable (21 Fig. 15) until the evacuation pump power plug fits into its slot (22 Fig. 15).

## CLEANING AND MAINTENANCE



### DANGER:

Before performing any maintenance operation, unplug the appliance from the electrical socket.

### Emptying the recovery tank

- Release the discharge hose (23 Fig. 16) from its base.
- Unscrew the knob (24 Fig. 16), remove the cap (25 Fig. 16) of the discharge hose (23 Fig. 16) and drain the liquid inside the recovery tank (26 Fig. 16).

### Daily cleaning

#### Check and clean mesh filter

- Remove the cover head as described above.
- Remove the mesh filter (4 Fig. 4).
- Open the filter (4 Fig. 17) by pulling out the sliding lock (27 Fig. 17), rinse it and remove any solid residue, then close the filter again with the sliding lock (27 Fig. 17) and put it back as described beforehand.
- Reassemble all the parts by following the dismantling process steps in the reverse order.

## Cleaning the appliance

- Clean the unit body with a cloth dampened with water or a mild detergent.
- Remove the cover head as previously indicated and clean the inside of the tank from the residues of dirt with running water, as they can interfere with the operation, and then drain it, by starting the evacuation pump in order to clean both the pump and the discharge pipe.  
Replace everything doing the opposite of the disassembly.



### NOTES:

Clean the start float (28 Fig. 18) checking that it slides without difficulty.



### DANGER:

Do not wash the appliance using jets of water.

### Periodic checks

#### Checking the floater

- Remove the top as shown above.
- Check if the floater (29 Fig. 19) is in good condition and if it moves freely in its space.

PROBLEM	CAUSE	SOLUTION
The vacuum cleaner does not work.	Switch not pressed.	Press the switch.
	Plug not inserted.	Insert the plug into the socket.
	No current.	Check the power supply line.
Suction is not satisfactory.	Mesh filter full or clogged.	Empty or clean the mesh filter.
	Accessories or tubes clogged.	Check and clean the flexible hose and the suction nozzle.
	Rubber strips of the liquid suction nozzle worn or damaged.	Check and replace the liquid suction nozzle.
Does not discharge.	Evacuation pump off.	Check that the plug for the evacuation pump is inserted in the power socket on the cover head.



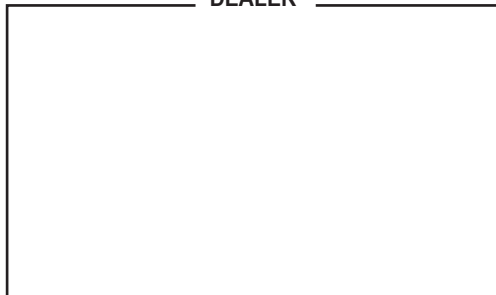




# ghibli & wirbel

Professional Cleaning Machines Since 1968

DEALER



Cod. 8050881 - 1<sup>^</sup> ed. - 09/2019

**Ghibli & Wirbel S.p.A.**

Via Circonvallazione, 5 - 27020 Dorno PV - Italia  
P. +39 0382 848811 - F. +39 0382 84668 - M. info@ghibliwirbel.com

[www.ghibliwirbel.com](http://www.ghibliwirbel.com)

**100% MADE IN ITALY**

**A COMPANY GROUP OF RIELLO INDUSTRIES**

