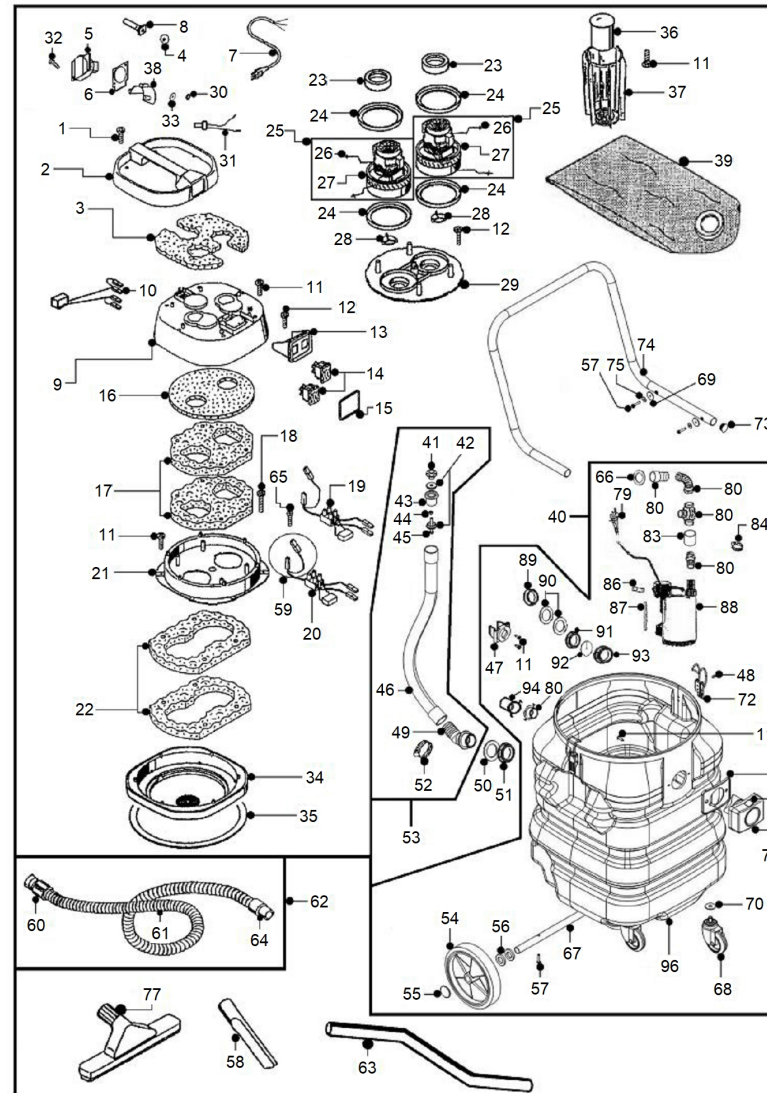




INPUMP 90.2 SP CF




INPUMP 90.2 SP CF

	Code	Description	Q.ty	Advisable	Note
1	2508591	SCREW TCC 5X22	8		
2	2209917	C43PL. COMPLETE COVER 1PR.R.4891/R.4891	1		
3	3000658	SOUND BAFFLE HANDLE	1		
4	2502081		1		
5	2506198	INTAKE	1		
6	2502015	PLUG GASKET	1		
7	2507299	3X1,5 MT.10 RONDA CABLE	1		
8	2502080		1		
9	6003351	INTAKE AS58	1		
10	6100380		1		
11	2508570	SCREW 5X16 SP	14		
12	2508560	SCREW TCC 5X13 SP	8		
13	2502605	GASKET ELECTRICAL BOARD	1		
14	2506230	BLACK BIPOLAR SWITCH	2		
15	2502605	GASKET ELECTRICAL BOARD	1		
16	3000653	SOUND BAFFLE COVER	1		
17	3000651	SOUND BAFFLE WASHER SEPARATOR	2		
18	2508592	SCREW TCC 5X32	1		
19	6100239	THERMINAL BLOCK AS59	1		
20	6100242	THERMINAL BLOCK	1		


INPUMP 90.2 SP CF

	Code	Description	Q.ty	Advisable	Note
21	2009300	UPPER WASHER AS58	1		
22	3000650	SOUND BAFFLE MOTOR BASE	2		
23	2502518	GASKET WD100	2		
24	2502500	MOTOR GASKET WS1	4		
25	4386003	GR.MOTORE WS3 A40 230V TRECC.WD400	2		
26	2506377	WD400 MOTOR WIRE	4		
27	2505100	MOTOR	2		
28	2001360	VALVE WS45	2		
29	2009310	LOWER WASHER AS58	1		
30	23.0050.00	SELF-LOCKING NUT M 4 A2 DIN 982	2		
31	3005076		1		
32	23.0060.00	T.S.P.E.I. SCREW M 4X16 A2 DIN 7991	4		
33	23.0034.00	PLATE WASHER D 4 A2 DIN 125A	2		
34	2209804	MOTOR BASE PLASTIC	1		
35	2502410	BASE GASKET WS2	1		
36	RIC.6101100	COMPLETE FLOATING SYSTEM	1		
37	2000090	FLOATER CAGE	1		
38	2201331		1		
39	6610030	COMPLETE FILTER GROUP AS12 P CF	1		
40	3440026		1		


INPUMP 90.2 SP CF

	Code	Description	Q.ty	Advisable	Note
41	35.0027.00	M6 KNOB	1		
42	2519510	BOTTON DRAIN PLUG	2		
43	2519515	DRAIN PLUG BODY	1		
44	23.0019.00	NUT M6 A2 DIN934 (200-634-016)	1		
45	23.0114.00	TE SCREW M 6X50 A2 DIN 933	1		
46	2519555	FLEXIBLE HOSE D.28	1		
47	2519070		1		
48	2508833	RIVET 4,8 X 15	4		
49	2519056		1		
50	2502559		1		
51	2001402	GR.MARCHE KOMPACT 10 250V VORTECH	1		
52	2519091	HOSE CLAMP 25-45	1		
53	6010307		1		
54	2510041	REAR WHEEL DIAM. 200 MM.	2		
55	2510031	STARLOCK CAPPED D.20	2		
56	50.0007.00	BLACK PLASTIC WASHER H=5	2		
57	200-070-391	CAP 20XF.18-17	6		
58	2511610	CREVICE TOOL	1		
59	2506439	SMALL CABLE BLACK	2		
60	2501190	M1 ABS CUFF DIAM. 40 MM.	1		

INPUMP 90.2 SP CF

	Code	Description	Q.ty	Advisable	Note
61	2511030	FLEXIBLE HOSE D.38	1		
62	RIC.6010500	COMPLETE BLACK FLEXIBLE HOSE D.40 MT.2,5	1		
63	2511600	SUCTION TUBE "S"	1		
64	2511390	PVC CUFF DIAM.40 MM.	1		
65	2508500	SCREW TCC 3X20	2		
66	2519550	GASKET NBR D.33X45X2	1		
67	2504324		1		
68	2510093	CASTER WHEEL D.75	2		
69	3000232	RUBBER WASHER Ø12X4 SP2	4		
70	2509062	RONDELLA 12 X 48 X 2 ZINCATA	2		
71	RIC.6000205	COMPLETE BLACK NYLON INTAKE D.50	1		
72	6100003	CLAMP FOR STEEL TANK	2		
73	2510066		2		
74	2504266		1		
75	2509012	WASHER D.5.3X15X1.2 A2 DIN9021	4		
77	2512607	SQUEEGEE TOOL WITH CASTORS	1		
79	2560520	RUBBER SPY MOD.442.GT	1		
80	2562046		1		
83	2010167	VITE TE M10X35	1		
84	2519091	HOSE CLAMP 25-45	2		

INPUMP 90.2 SP CF

	Code	Description	Q.ty	Advisable	Note
86	2504874	STAFFA X GALLEGG.POMPA SOMMERGIBILE	1		
87	2601099	RILSAN HOSE 10/8 MT 0,078	1		
88	RIC.2506031		1		
89	2001404		1		
90	2502565		2		
91	2001506	C43 SILVER GREY BASE FUSION	1		
92	2502566		1		
93	2001505	BASE FUSION C43TS SILVER GREY WITH HOLES	1		
94	2601121		1		
96	2207126	CANDIA 1000 CMP. FAIRING COVER	1		